

MODEL 2922

Frequency Monitor

- Monitors over and/or under frequency
- Automatic reset
- Solid-state electronic circuitry

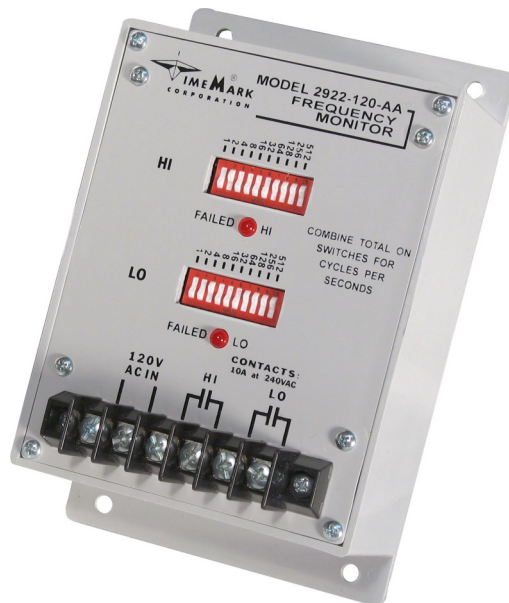
DESCRIPTION

The Model 2922 Frequency Monitor is designed to monitor power line frequency. It is intended for systems where line frequency variations will cause improper operation of electrical equipment.

A solid-state sensing circuit drives two internal electromechanical relays. One relay is energized when the line frequency is high and the other relay is energized when the line frequency is low. Operating power is drawn from the same line being monitored.

The Model 2922 is set to the over and/or under frequency trip points using ten binary-coded switches. A frequency variation outside the trip points causes the appropriate relay to energize and an appropriate LED indicator to illuminate.

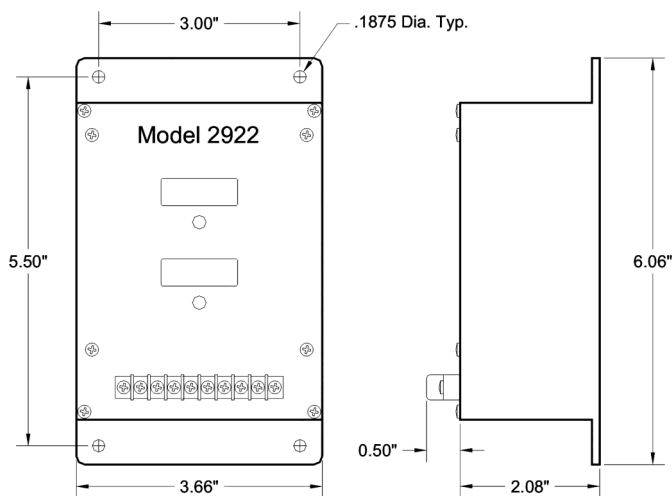
Applications for the Model 2922 include standby power plants, portable power supplies, and windmill generators.



SPECIFICATIONS

Model	2922-XXX
Input Voltage	XXX = 24, 120 or 240
Operating Frequency	45-1023 Hz
Response Time	1 second
Transient Protection	2500 V for 10 msec
Contact Rating	SPDT x 2 10 amps at 240VAC resistive
Expected Relay Life	Mech: 10 million operations Elec: 100,000 at rated load
Operating Temp	- 20° to +122° F
Humidity Tolerance	0-97% w/o condensation
Enclosure Material	ABS plastic
Weight	12 oz. Max.

DIMENSIONS



ORDERING:

Model	Nominal (VAC)	Operating Voltage
2922-24	24	20 - 30
2922-120	120	90 - 130
2922-240	240	190 - 240



TIME MARK
CORPORATION

MODEL 2922

Frequency Monitor

READ ALL INSTRUCTIONS BEFORE INSTALLING, OPERATING OR SERVICING THIS DEVICE.
KEEP THIS DATA SHEET FOR FUTURE REFERENCE.

GENERAL SAFETY

POTENTIALLY HAZARDOUS VOLTAGES ARE PRESENT AT THE TERMINALS OF THE MODEL 2922.
ALL ELECTRICAL POWER SHOULD BE REMOVED WHEN CONNECTING OR DISCONNECTING WIRING.
THIS DEVICE SHOULD BE INSTALLED AND SERVICED BY QUALIFIED PERSONNEL.

Installation Instructions

INSTALLATION

Connect the control wiring to the terminals with the contact markings (refer to the diagram on the unit). Apply power.

TROUBLESHOOTING

Should the Model 2922 Frequency Monitor fail to operate, check all connections. Verify that power is present, and check all fuses. Should problems persist, contact the factory at 800-862-2875 for assistance.

OPERATION

To select a frequency trip point, set the appropriate switches to ON. Figure 1 shows the Model 2922 set to trip at frequencies below 58 Hz and above 62 Hz.

Figure 2 shows the Model 2922 set for a frequency band of 400 Hz +/-5 Hz.

WARRANTY

The **Model 2922 Frequency Monitor** is warranted to be free from defects in materials and workmanship for one year. Should this device fail to operate, we will repair or replace it for one year from the date of purchase. For complete warranty details, see the *Terms and Conditions of Sales* page in the front section of the Time Mark catalog.

Figure 1

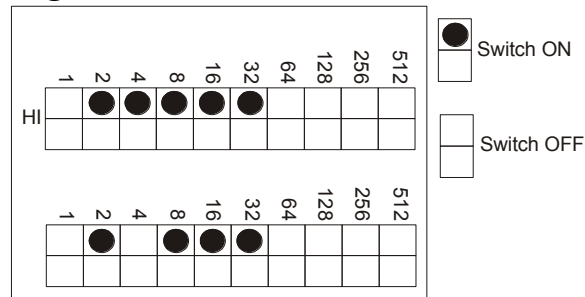
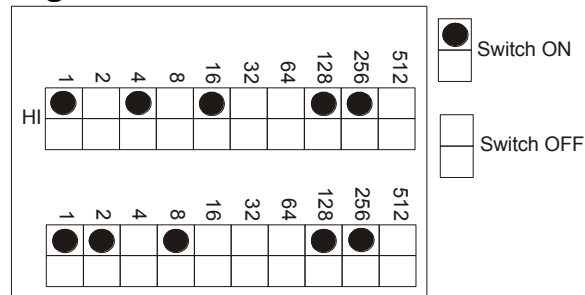
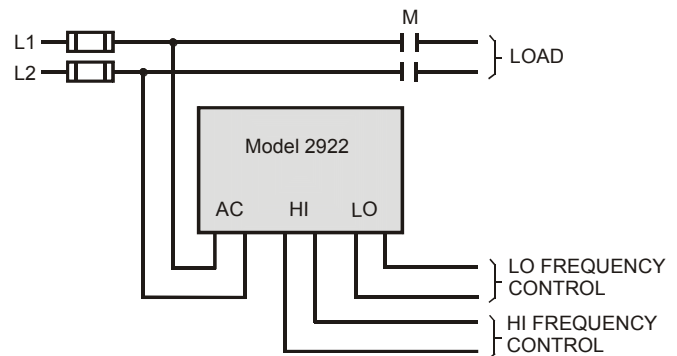


Figure 2



TYPICAL APPLICATION



Shows No Power Applied



TIME MARK
CORPORATION

 AEMT, Inc.